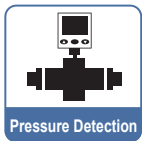


KP62 SERIES

Digital Pressure Gauge

Features

- Digital pressure gauge with battery power
- Gauge case & fitting parts: SUS304
- Corrosive fluid or gas available (in the pipeline)
- Selectable pressure unit :
kPa, MPa, PSI, kgf / cm², Bar, mBar,
mH₂O, inH₂O, inHg, Torr, mmHg
- High Precision : 0.5 % F.S.



Battery Meter



Specifications

MODEL	KP62C	KP62H02	KP62H06	KP62H10	KP62H25	KP62H40
	Compound Pressure	High Pressure				
Rated Pressure Range	-100 ~ 100 kPa	-0.1 ~ 2.5 MPa	0 ~ 6 MPa	0 ~ 10 MPa	0 ~ 25 MPa	0 ~ 40 MPa
Withstand Pressure	500 kPa	3 MPa	7.2 MPa	12 MPa	30 MPa	48 MPa
Fluid	Fluid or air that will not corrode SUS304 and fluororubber (FKM)					
Set Pressure Resolution	kPa	0.1	1	1	-	-
	MPa	-	0.001	0.001	0.01	0.01
	PSI	0.01	0.1	0.1	1	1
	kgf / cm ²	0.001	0.01	0.01	0.1	0.1
	Bar	0.001	0.01	0.01	0.1	0.1
	mBar	1	-	-	-	-
	mH ₂ O	0.01	0.1	0.1	1	1
	inH ₂ O	0.1	-	-	-	-
	inHg	0.01	0.1	1	1	1
Torr	0.1	-	-	-	-	
mmHg	0.1	-	-	-	-	
Battery	2 × 1.5 V AAA (no batteries included)					
Back Light	Yes					
Low-Power Indicator	Yes					
Peak Record	Yes					
Sampling Rate	3 times / sec.					
Display	4 digital, 7 segment LCD display (Black)					
Indicator Accuracy	± 0.5 % F.S.					
Environment	Enclosure	IP54 ※1				
	Working Fluid Temp.	-10 ~ 70 °C				
	Ambient Temp. Range	Operation : 0 ~ 50 °C ; storage : -10 ~ 60 °C (No condensation or freezing)				
	Ambient Humidity Range	Operation / Storage : 35 ~ 85 % RH (No condensation)				
	Vibration	Total amplitude 1.5 mm or 10 G, 10 Hz ~ 55 Hz ~ 10 Hz scan for 1 minute, 2 hours each direction of X, Y and Z				
Shock	100 m/s ² (10 G), 3 times each in direction of X, Y and Z					
Port Size	F1 : R1/4" ; F3 : G1/4"					
Weight	Approx. 350 g					

NOTE

※1 : Removing protective lid is IP50 enclosure.

Panel Description



Ordering Information

K P 6 2 C - F 1 - Y

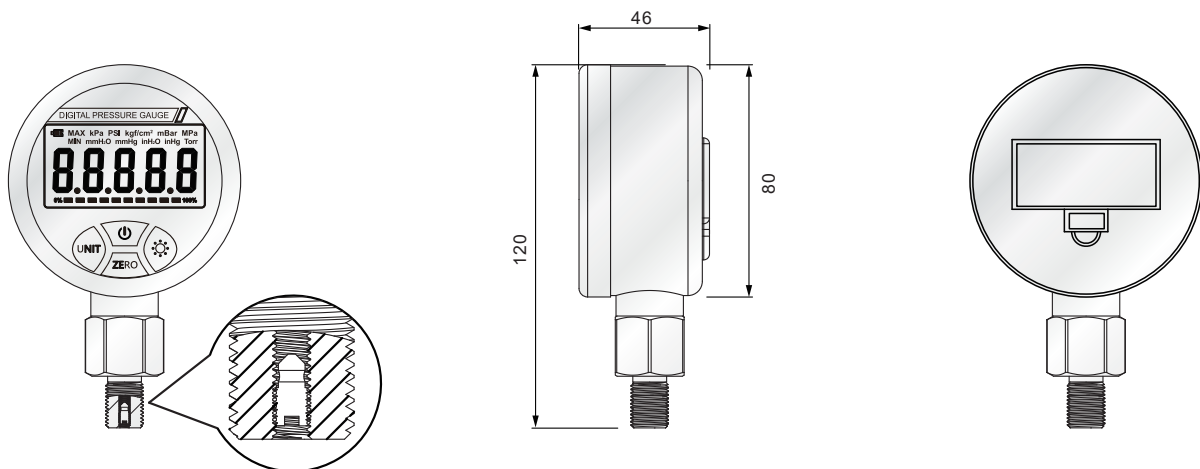
Pressure Range

- C : Compound pressure (-100 ~ 100 kPa)
- H02 : High pressure (-0.1 ~ 2.5 MPa)
- H06 : High pressure (0 ~ 6 MPa)
- H10 : High pressure (0 ~ 10 MPa)
- H25 : High pressure (0 ~ 25 MPa)
- H40 : High pressure (0 ~ 40 MPa)

Port Size

- F1 : R1/4"
- F3 : G1/4" (BSPP)

Dimensions



Pressure port equipped with snubber can avoid damage caused by sudden pressure surge of water or oil, improve product durability.

※1 : When snubber is clogged with contaminants, please use a flat head screwdriver to remove the snubber, clean and reinstall.