

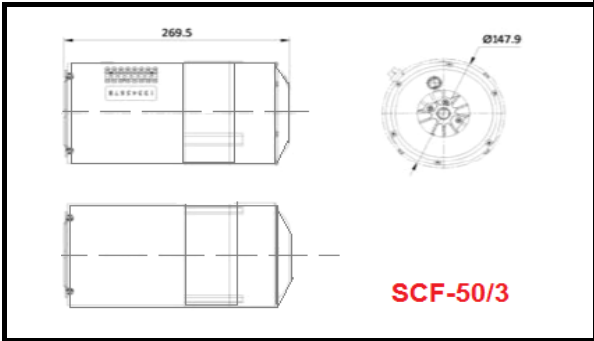
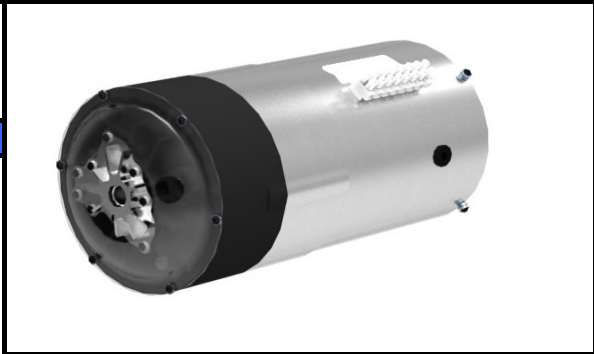


Datasheet: Jan 2017

**Datasheet: SCF-50/3 Compressor**

**Miniature Oil-Free Scroll Compressor**

- \* Patent protected Floating Scroll Technology
- \* Uncontaminated flow
- \* No contamination of media due to Oil-free operation ( *No tip seal or PTFE dust* )
  
- \* Maintenance-free
- \* Compact size
- \* High performance
- \* Long product life
- \* High level of gas tightness
- \* Very quiet and low vibration
- \* Can operate in any position



<b>Model</b>	<b>SCF-50/3 Mini compressor</b>
Max. Pressure:	2,76 Barg (40 PSI)
Displacement:	50 L/min (1.75 CFM)
Power consumption, Max.:	580 Watt
Motor type:	Brushless DC Motor
Voltage:	48 VDC
Connections	Inlet : 9-16"-19 UNF - Outlet : 9-16"-19 UNF
Weight	7,9 Kg
Noise level:	65 dB(A)
Cooling system:	Air cooled



